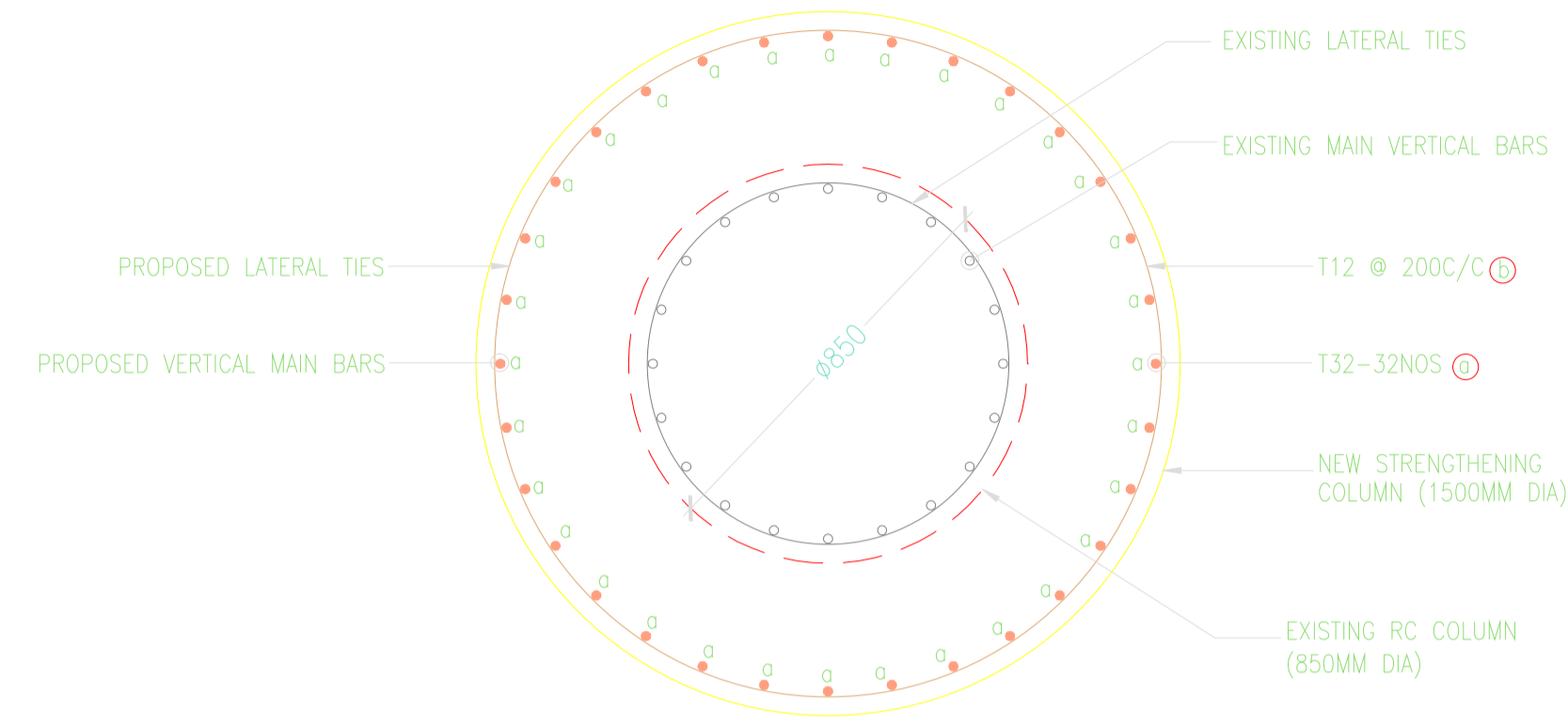
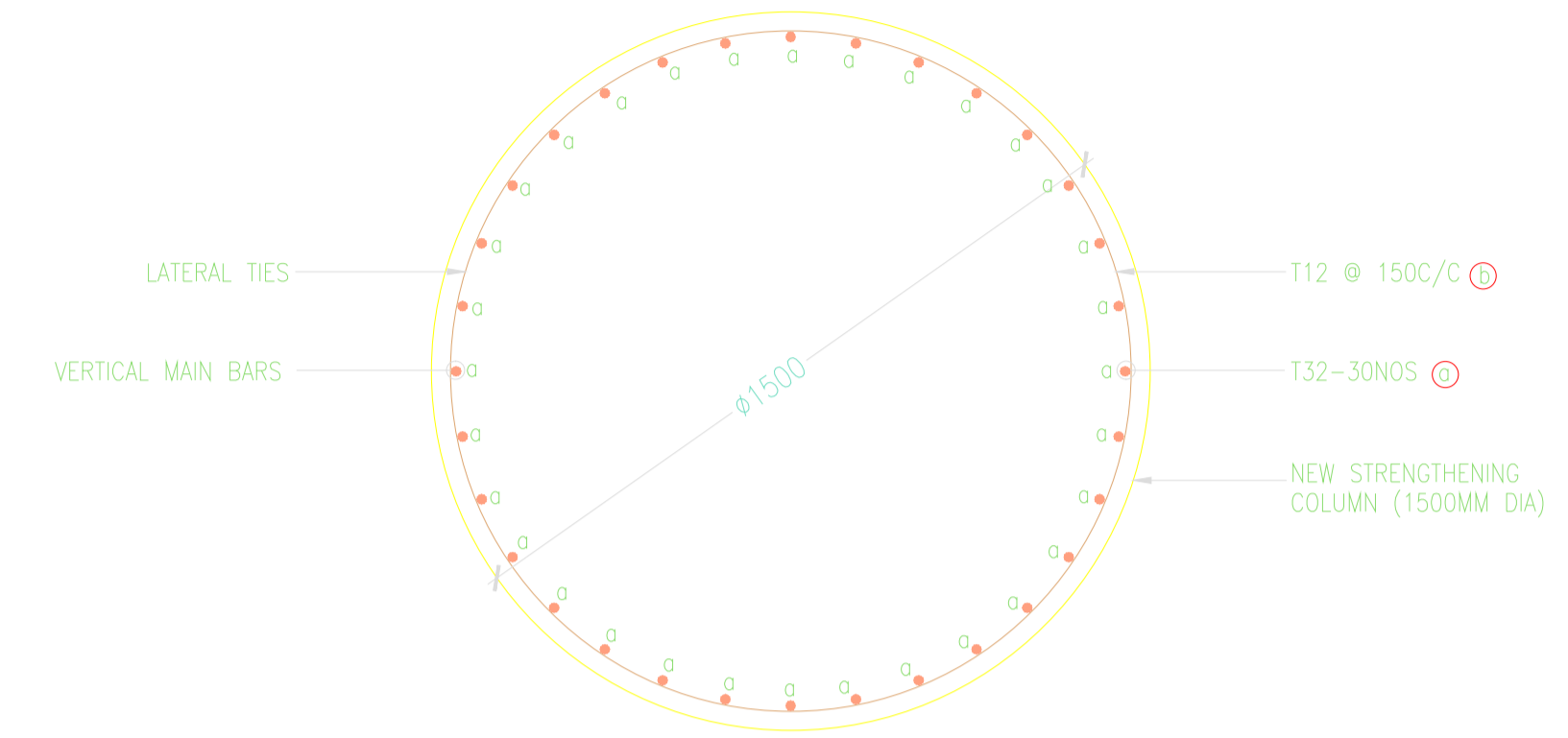


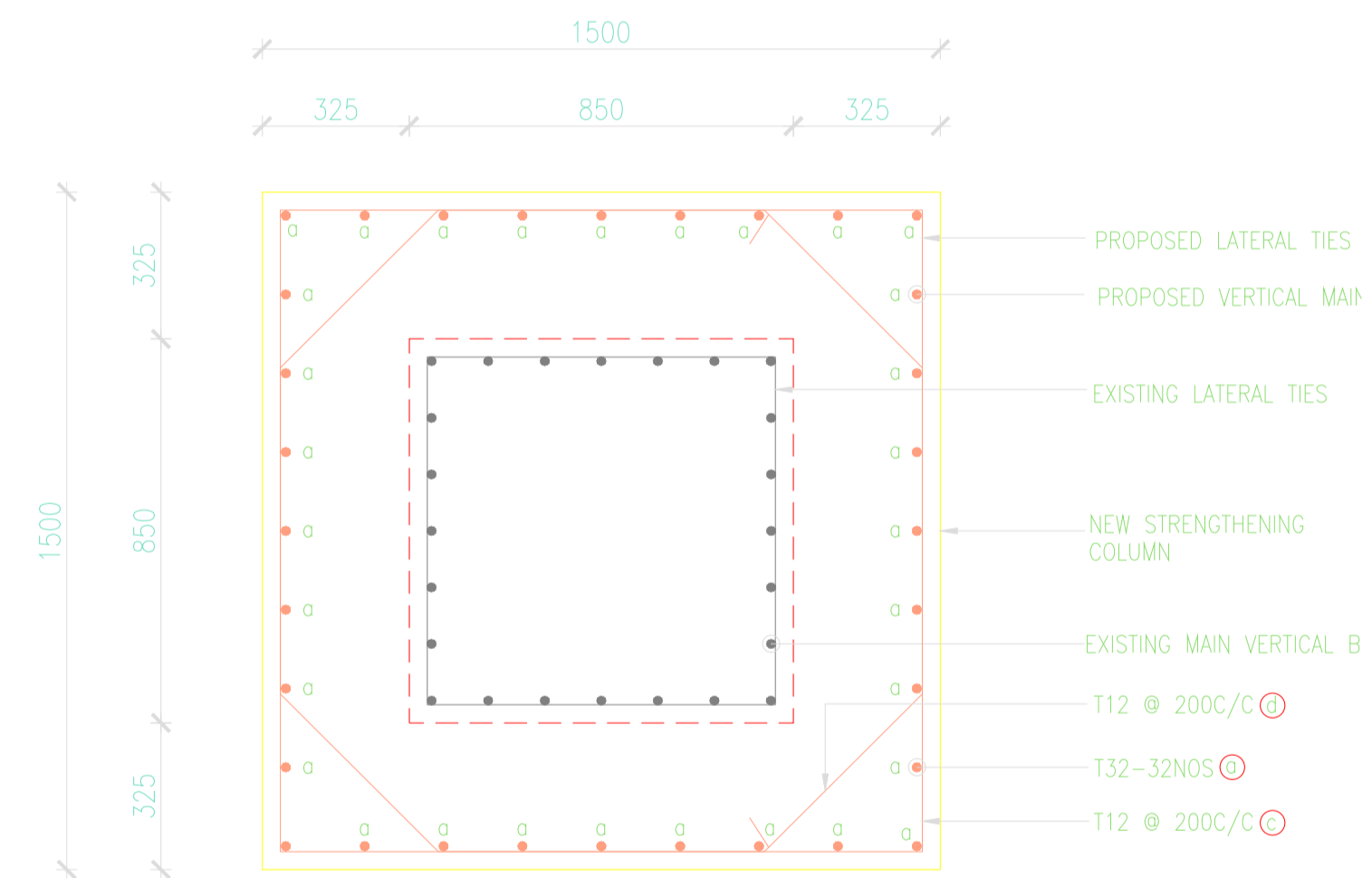
**TYPICAL ELEVATION VIEW OF STRENGTHENED COLUMN FROM FOUNDATION TO LEVEL F**  
SCALE 1:50



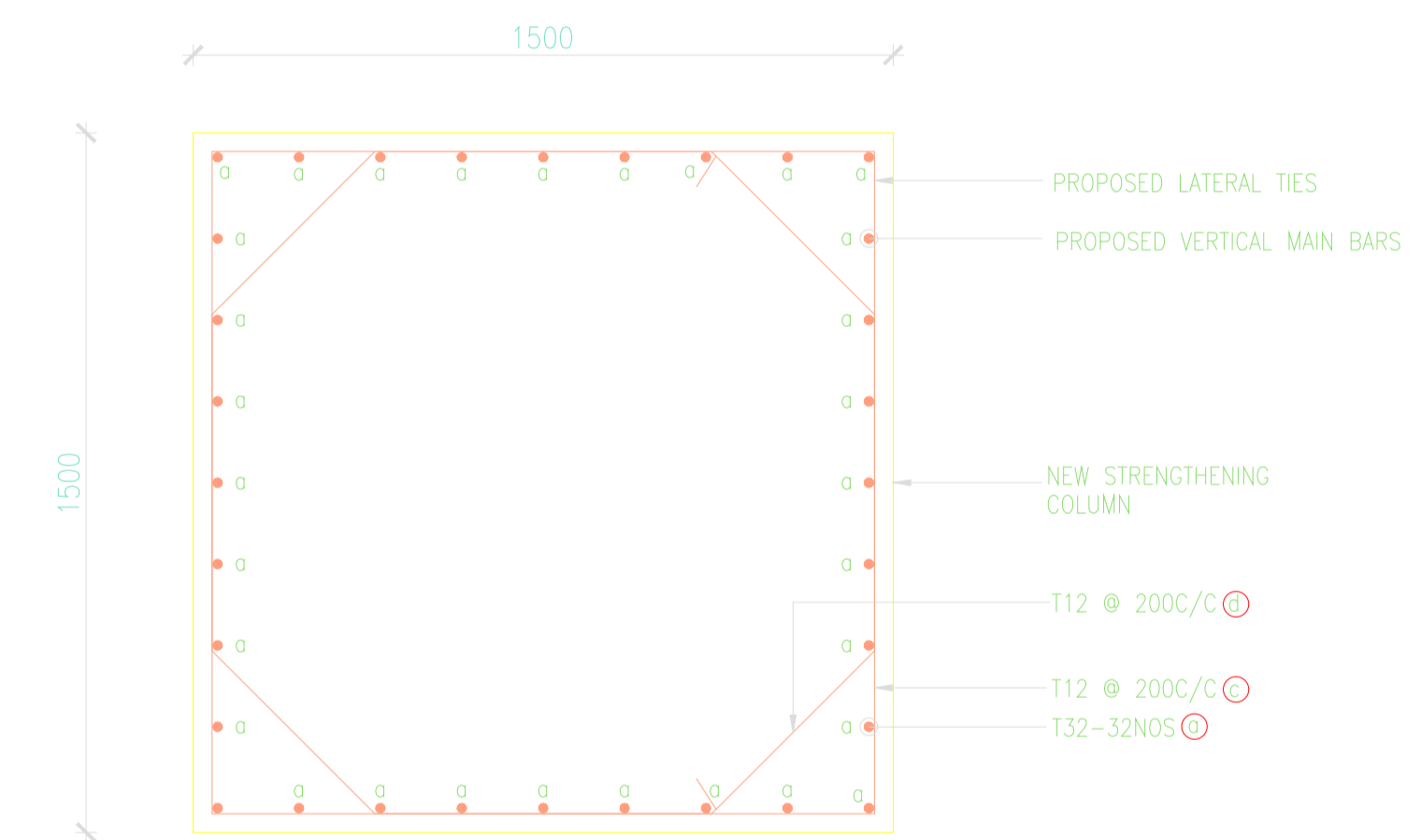
**SECTION A-A (COLUMN C1) FROM FOUNDATION TO LEVEL D**  
SCALE 1:15



**SECTION B-B (COLUMN C1) FROM LEVEL -D TO LEVEL F**  
SCALE 1:15



**SECTION A-A (COLUMN C2) FROM FOUNDATION TO LEVEL D**  
SCALE 1:15



**SECTION B-B (COLUMN C2) FROM LEVEL -D TO LEVEL F**  
SCALE 1:15